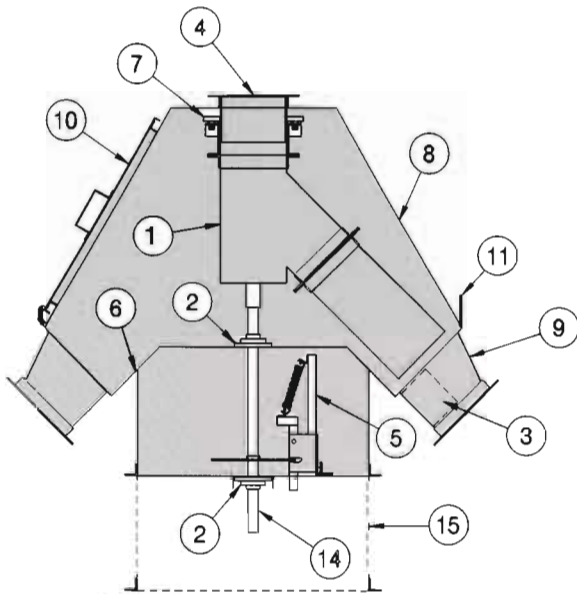


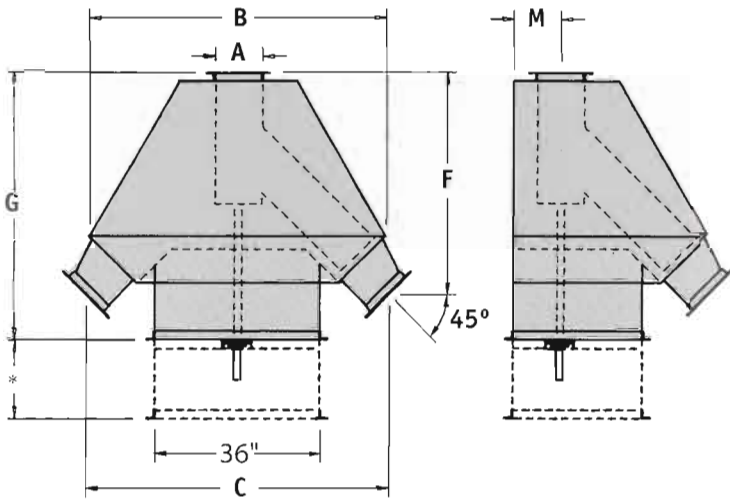


Manual and Electric Distributors

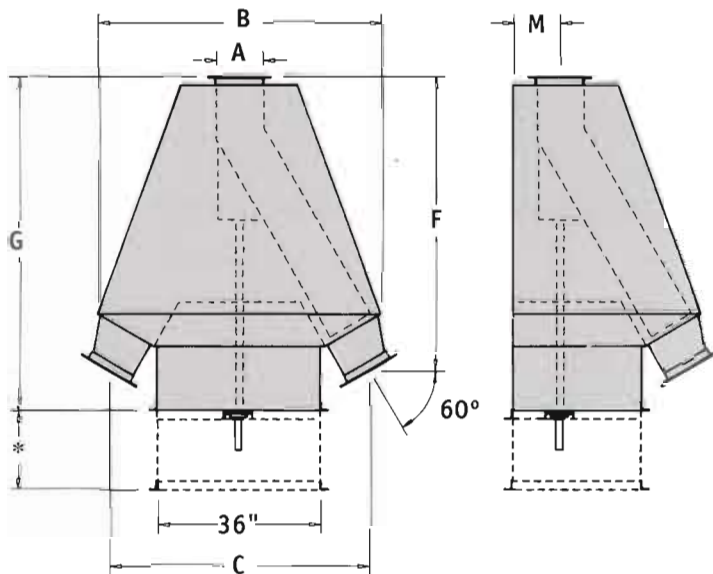
Distributor Features



1. Heavy gauge innerspouts with cushion box on 45° models and with abrasion resistant steel liner on 60° models. All innerspouts and extensions are easily accessed through the inspection and service door.
2. Turnspot supported on two flange type ball bearings.
3. Discharge outlets lined with bolted steel liner.
4. Flanged inlet and outlets.
5. Manual models include positive spring loaded locking and indexing mechanism.
6. Inverted cone design to prevent material build-up. Flatback distributors have cleanout doors at end of travel.
7. Upper male to female connection supported by bearing rollers for proper alignment.
8. Heavy steel body with dust tight and weatherproof construction.



*24" For Electric Control Only



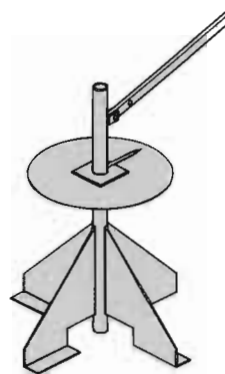
*24" For Electric Control Only

45° FLATBACK DISTRIBUTOR					
A	B	C	F	G	M
6" - 6 Outlet	54	52½	42½	46	8
6" - 8 Outlet	54	52½	42½	46	8
6" - 10 Outlet	72	70½	51½	46	8
6" - 12 Outlet	72	70½	51½	46	8
8" - 6 Outlet	54	54½	41½	46	8
8" - 8 Outlet	54	54½	41½	46	8
8" - 10 Outlet	72	71½	50½	46	8
8" - 12 Outlet	72	71½	50½	46	8
10" - 6 Outlet	78	73	51½	50½	10
10" - 8 Outlet	78	73	51½	50½	10
10" - 10 Outlet	102	97½	64½	60½	10
10" - 12 Outlet	102	97½	64½	60½	10
12" - 6 Outlet	78	75	51½	50½	10
12" - 8 Outlet	78	75	51½	50½	10
12" - 10 Outlet	102	99½	64	60½	10
12" - 12 Outlet	102	99½	64	60½	10
14" - 6 Outlet	78	71½	55½	60½	13
14" - 8 Outlet	98	91½	65½	70½	13
16" - 6 Outlet	78	72½	55	60½	13
16" - 8 Outlet	98	92	65	70½	13

60° FLATBACK DISTRIBUTOR					
A	B	C	F	G	M
6" - 6 Outlet	56	49	58	60½	8
6" - 8 Outlet	56	49	58	60½	8
6" - 10 Outlet	80	73	78½	80½	8
6" - 12 Outlet	80	73	78½	80½	8
8" - 6 Outlet	60	55	61	60½	8
8" - 8 Outlet	60	55	61	60½	8
8" - 10 Outlet	80	75	78½	80½	8
8" - 12 Outlet	80	75	78½	80½	8
10" - 6 Outlet	80	70	79½	82	10
10" - 8 Outlet	80	70	79½	82	10
10" - 10 Outlet	106	96	101½	97	10
10" - 12 Outlet	106	96	101½	97	10
12" - 6 Outlet	80	72	79½	82	10
12" - 8 Outlet	80	72	79½	82	10
12" - 10 Outlet	106	98	101½	97	10
12" - 12 Outlet	106	98	101½	97	10

Control Options

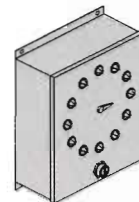
9. Funnel style outlets provide positive discharge of material into the outlet.
10. Large bolted weatherproof access door with handle and keeper cable.
11. Lifting lugs standard on all models.
12. Galvanized body is standard. Painted steel or stainless steel are optional.
13. Flatback models have wrap-around design to provide better flow to spouts opposite the leg discharge.
14. Shaft extended for cable or pipe control.
15. Upper electric control tub mounted for easy access with dust tight and weatherproof construction.
16. Other sizes and styles are available - contact the Engineering Department.



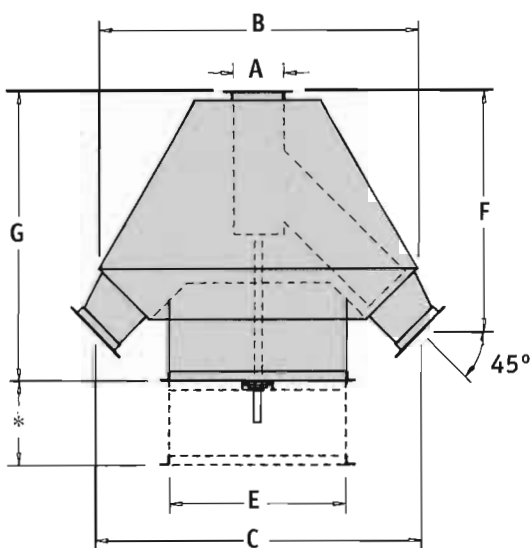
FLOOR STAND CONTROL



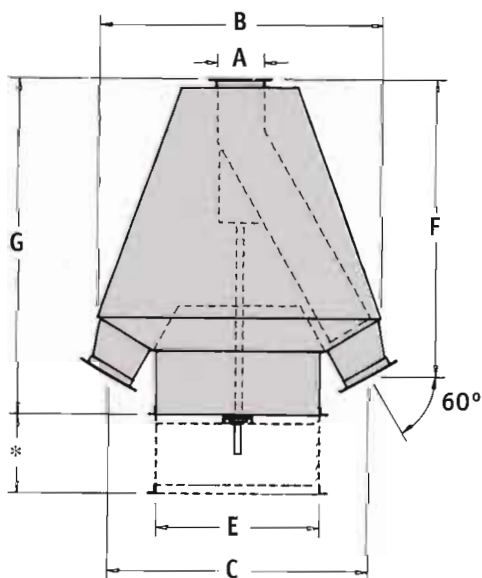
LOWER CABLE CONTROL



ELECTRIC CONTROL PANEL



*24" For Electric Control Only



*24" For Electric Control Only

45° - 360° DISTRIBUTOR					
A	B	C	E	F	G
6" - 6 Outlet	48	46	28	39½	46
6" - 8 Outlet	48	46	28	39½	46
6" - 10 Outlet	54	52½	36	42½	50½
6" - 12 Outlet	54	52½	36	42½	50½
8" - 6 Outlet	48	47½	28	38½	46
8" - 8 Outlet	48	47½	28	38½	46
8" - 10 Outlet	54	54½	36	41½	50½
8" - 12 Outlet	54	54½	36	41½	50½
10" - 6 Outlet	60	55	36	43½	50½
10" - 8 Outlet	60	55	36	43½	50½
10" - 10 Outlet	78	73	36	51½	56½
10" - 12 Outlet	78	73	36	51½	56½
12" - 6 Outlet	60	57	36	43	50½
12" - 8 Outlet	60	57	36	43	50½
12" - 10 Outlet	78	75	36	51½	57
12" - 12 Outlet	78	75	36	51½	57
14" - 6 Outlet	66	60½	36	55½	60½
14" - 8 Outlet	66	60½	36	55½	60½
16" - 6 Outlet	66	62	36	55	60½
16" - 8 Outlet	66	62	36	55	60½

60° - 360° DISTRIBUTOR					
A	B	C	E	F	G
6" - 6 Outlet	48	41½	28	50%	58
6" - 8 Outlet	48	41½	28	50%	58
6" - 10 Outlet	60	53½	36	61%	66
6" - 12 Outlet	60	53½	36	61%	66
8" - 6 Outlet	48	43½	28	50%	58
8" - 8 Outlet	48	43½	28	50%	58
8" - 10 Outlet	60	55	36	60%	66
8" - 12 Outlet	60	55	36	60%	66
10" - 6 Outlet	60	55	28	67	70
10" - 8 Outlet	60	55	28	67	70
10" - 10 Outlet	80	70	36	79½	82
10" - 12 Outlet	80	70	36	79½	82
12" - 6 Outlet	60	57½	28	67%	70½
12" - 8 Outlet	60	57½	28	67%	70½
12" - 10 Outlet	80	72	36	79%	82
12" - 12 Outlet	80	72	36	79%	82

All dimensions and specifications subject to change without notice.

Riley Double Distributors



Riley double distributors are built with the same high quality standards as our single distributors. Available in both manual and electric control with overflow spout design. Innerspouts can be removed or replaced through large access ports for easy maintenance. Available with up to 20 stations in 45° and 55° models.

All Riley Distributors are fabricated of durable materials to withstand environmental conditions and heavy usage. Our complete line of distributors will meet most requirements, but when you have a special application the Riley Engineering Department will custom design a distributor to your specifications.

Riley Spouting Accessories



■ TWO-WAY VALVE



■ THREE-WAY VALVE



■ OFFSET VALVE



■ OVERFLOW VALVE



■ ADJUSTABLE CUSHION BOX



■ RETARDER



■ ADJUSTABLE ELBOWS



■ SPOUTING

Riley Equipment Manufactures A Complete Line of Bulk Material Handling Equipment . . .

- Bucket Elevators ■ Distributors ■ Screw Conveyors ■
- Incline Drag Conveyors ■ Super Incline Drag Conveyors ■
- Easy-Flo Drag Conveyors ■ Sur-Flo Drag Conveyors ■ Spouting & Accessories ■ Centrifugal & Continuous Industrial Bucket Elevators ■

For equipment designed to your specifications contact our Engineering Department.

Riley Equipment, Inc.
2205 S. Old Decker Road
P.O. Box 435
Vincennes, IN 47591-0435



Website: www.rileyequipment.com
E Mail: sales@rileyequipment.com
Phone: (812) 886-5500
Fax: (812) 886-5515